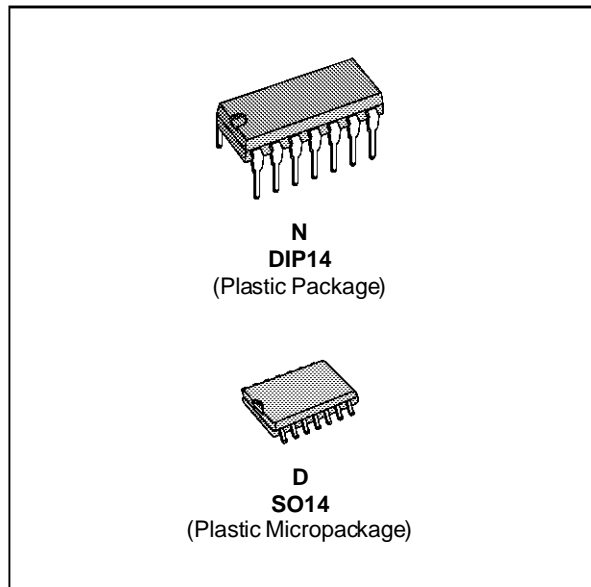


GENERAL PURPOSE QUAD J-FET OPERATIONAL AMPLIFIERS

- LOW POWER CONSUMPTION
- WIDE COMMON-MODE (UP TO V_{CC}^+) AND DIFFERENTIAL VOLTAGE RANGE
- LOW INPUT BIAS AND OFFSET CURRENT
- OUTPUT SHORT-CIRCUIT PROTECTION
- HIGH INPUT IMPEDANCE J-FET INPUT STAGE
- INTERNAL FREQUENCY COMPENSATION
- LATCH UP FREE OPERATION
- HIGH SLEW RATE : $13V/\mu s$ (typ)



DESCRIPTION

The TL084, TL084A and TL084B are high speed J-FET input quad operational amplifiers incorporating well matched, high voltage J-FET and bipolar transistors in a monolithic integrated circuit.

The devices feature high slew rates, low input bias and offset currents, and low offset voltage temperature coefficient.

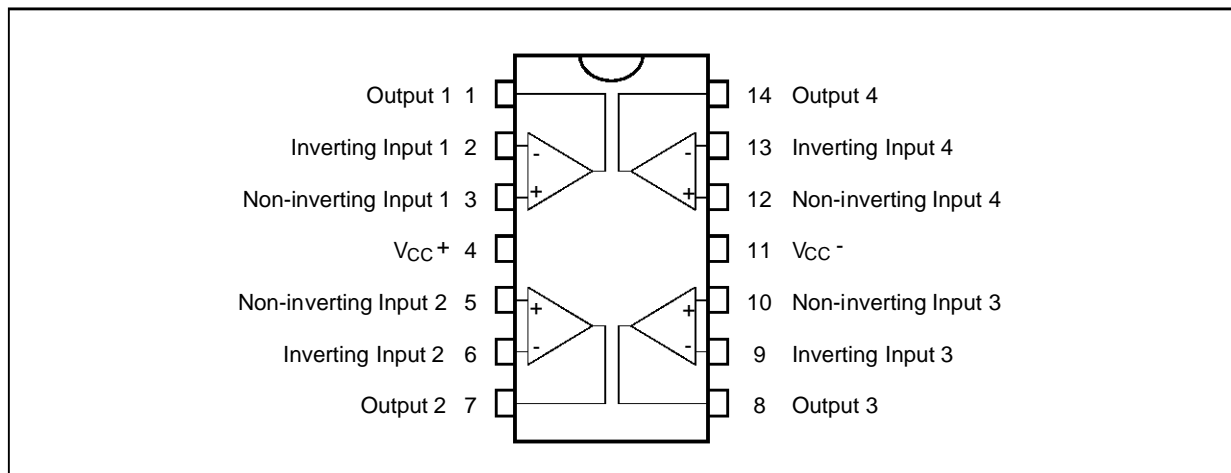
ORDER CODES

| Part Number | Temperature Range | Package | |
|--------------|-------------------|---------|---|
| | | N | D |
| TL084M/AM/BM | -55°C, +125°C | • | • |
| TL084I/AI/BI | -40°C, +105°C | • | • |
| TL084C/AC/BC | 0°C, +70°C | • | • |

Examples : TL084CN, TL084CD

084-01.TBL

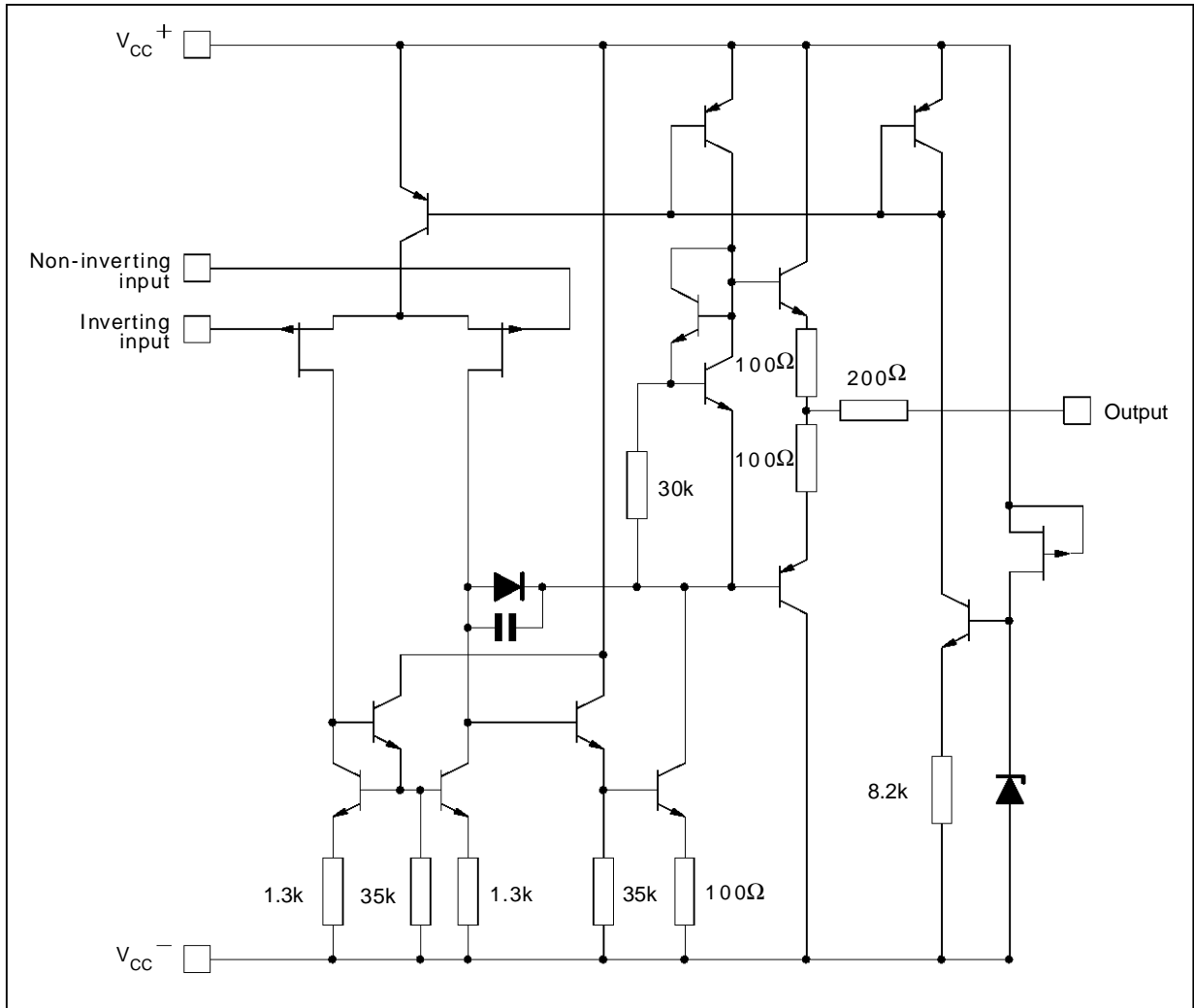
PIN CONNECTIONS (top view)



084-01.EPS

TL084 - TL084A - TL084B

SCHEMATIC DIAGRAM (each amplifier)



084-02.EPS

ABSOLUTE MAXIMUM RATINGS

| Symbol | Parameter | Value | Unit | |
|------------|------------------------------------------|----------------------------------------------|-------------------------------------------------|-------------|
| V_{CC} | Supply Voltage - (note 1) | ± 18 | V | |
| V_i | Input Voltage - (note 3) | ± 15 | V | |
| V_{id} | Differential Input Voltage - (note 2) | ± 30 | V | |
| P_{tot} | Power Dissipation | 680 | mW | |
| | Output Short-circuit Duration - (note 4) | Infinite | | |
| T_{oper} | Operating Free Air Temperature Range | TL084C,AC,BC TL084I,AI,BI TL084M,AM,BM | 0 to 70 -40 to 105 -55 to 125 | $^{\circ}C$ |
| T_{stg} | Storage Temperature Range | | -65 to 150 | $^{\circ}C$ |

084-02.TBL

- Notes :**
1. All voltage values, except differential voltage, are with respect to the zero reference level (ground) of the supply voltages where the zero reference level is the midpoint between V_{CC}^+ and V_{CC}^- .
 2. Differential voltages are at the non-inverting input terminal with respect to the inverting input terminal.
 3. The magnitude of the input voltage must never exceed the magnitude of the supply voltage or 15 volts, whichever is less.
 4. The output may be shorted to ground or to either supply. Temperature and /or supply voltages must be limited to ensure that the dissipation rating is not exceeded.

ELECTRICAL CHARACTERISTICS

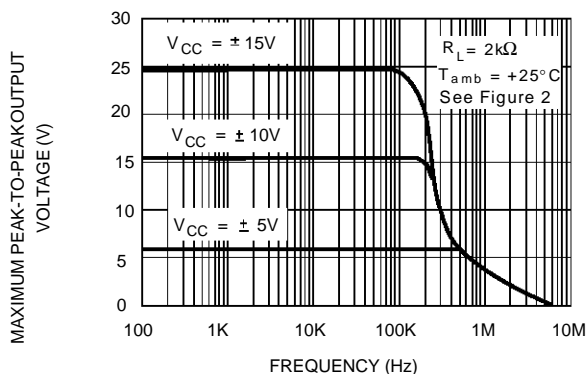
V_{CC} = ±15V, T_{amb} = 25°C (unless otherwise specified)

| Symbol | Parameter | TL084I,M,AC,AI, AM,BC,BI,BM | | | TL084C | | | Unit |
|----------------------------------|---------------------------------------------------------------------------------------------------------------------------------------------------------------------------------------------------------------|--------------------------------|------------------|------------------|----------------------|------------------|------------|------------------------|
| | | Min. | Typ. | Max. | Min. | Typ. | Max. | |
| V _{io} | Input Offset Voltage (R _S = 50Ω) T _{amb} = 25°C T _{min.} ≤ T _{amb} ≤ T _{max.} TL084BC,BI,BM TL084BC,BI,BM | | 3 1 | 6 3 7 5 | | 3 | 10 13 | mV |
| DV _{io} | Input Offset Voltage Drift | | 10 | | | 10 | | μV/°C |
| I _{io} | Input Offset Current * T _{amb} = 25°C T _{min.} ≤ T _{amb} ≤ T _{max.} | | 5 | 100 4 | | 5 | 100 4 | pA nA |
| I _{ib} | Input Bias Current * T _{amb} = 25°C T _{min.} ≤ T _{amb} ≤ T _{max.} | | 20 | 200 20 | | 30 | 400 20 | pA nA |
| A _{vd} | Large Signal Voltage Gain (R _L = 2kΩ, V _O = ±10V) T _{amb} = 25°C T _{min.} ≤ T _{amb} ≤ T _{max.} | 50 25 | 200 | | 25 15 | 200 | | V/mV |
| SVR | Supply Voltage Rejection Ratio (R _S = 50Ω) T _{amb} = 25°C T _{min.} ≤ T _{amb} ≤ T _{max.} | 80 80 | 86 | | 70 70 | 86 | | dB |
| I _{CC} | Supply Current, per Amp, no Load T _{amb} = 25°C T _{min.} ≤ T _{amb} ≤ T _{max.} | | 1.4 | 2.5 2.5 | | 1.4 | 2.5 2.5 | mA |
| V _{icm} | Input Common Mode Voltage Range | ±11 | +15 -12 | | ±11 | +15 -12 | | V |
| CMR | Common Mode Rejection Ratio (R _S = 50Ω) T _{amb} = 25°C T _{min.} ≤ T _{amb} ≤ T _{max.} | 80 80 | 86 | | 70 70 | 86 | | dB |
| I _{OS} | Output Short-circuit Current T _{amb} = 25°C T _{min.} ≤ T _{amb} ≤ T _{max.} | 10 10 | 40 | 60 60 | 10 10 | 40 | 60 60 | mA |
| ±V _{OPP} | Output Voltage Swing T _{amb} = 25°C R _L = 2kΩ R _L = 10kΩ T _{min.} ≤ T _{amb} ≤ T _{max.} R _L = 2kΩ R _L = 10kΩ | 10 12 10 12 | 12 13.5 | | 10 12 10 12 | 12 13.5 | | V |
| SR | Slew Rate (V _{in} = 10V, R _L = 2kΩ, C _L = 100pF, T _{amb} = 25°C, unity gain) | 8 | 13 | | 8 | 13 | | V/μs |
| t _r | Rise Time (V _{in} = 20mV, R _L = 2kΩ, C _L = 100pF, T _{amb} = 25°C, unity gain) | | 0.1 | | | 0.1 | | μs |
| K _{OV} | Overshoot (V _{in} = 20mV, R _L = 2kΩ, C _L = 100pF, T _{amb} = 25°C, unity gain) | | 10 | | | 10 | | % |
| GBP | Gain Bandwidth Product (f = 100kHz, T _{amb} = 25°C, V _{in} = 10mV, R _L = 2kΩ, C _L = 100pF) | 2 | 3 | | 2 | 3 | | MHz |
| R _i | Input Resistance | | 10 ¹² | | | 10 ¹² | | Ω |
| THD | Total Harmonic Distortion (f = 1kHz, A _V = 20dB, R _L = 2kΩ, C _L = 100pF, T _{amb} = 25°C, V _O = 2V _{PP}) | | 0.01 | | | 0.01 | | % |
| e _n | Equivalent Input Noise Voltage (f = 1kHz, R _S = 100Ω) | | 15 | | | 15 | | $\frac{nV}{\sqrt{Hz}}$ |
| ∅ _m | Phase Margin | | 45 | | | 45 | | Degrees |
| V _{O1} /V _{O2} | Channel Separation (A _V = 100) | | 120 | | | 120 | | dB |

* The input bias currents are junction leakage currents which approximately double for every 10°C increase in the junction temperature.

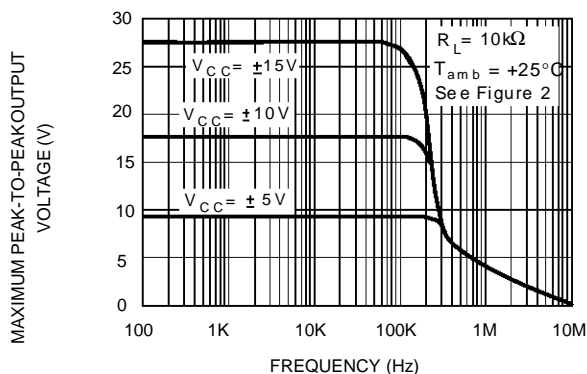
094-03.TBL

MAXIMUM PEAK-TO-PEAK OUTPUT VOLTAGE VERSUS FREQUENCY



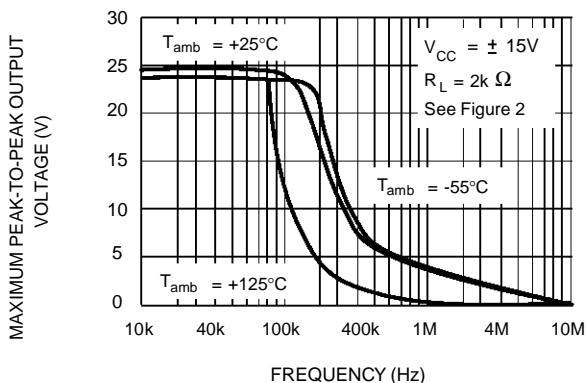
084-03.EPS

MAXIMUM PEAK-TO-PEAK OUTPUT VOLTAGE VERSUS FREQUENCY



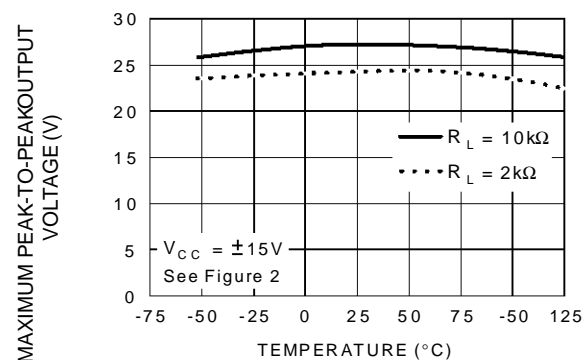
084-04.EPS

MAXIMUM PEAK-TO-PEAK OUTPUT VOLTAGE VERSUS FREQUENCY



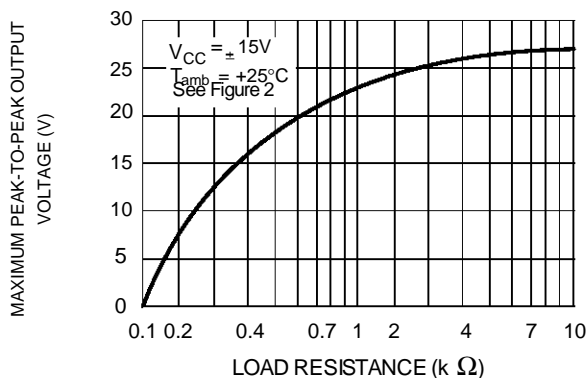
084-05.EPS

MAXIMUM PEAK-TO-PEAK OUTPUT VOLTAGE VERSUS FREE AIR TEMP.



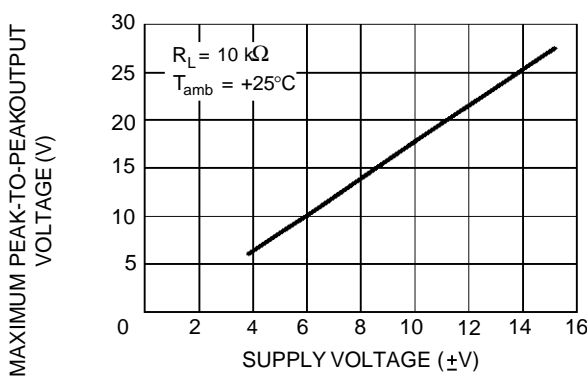
084-06.EPS

MAXIMUM PEAK-TO-PEAK OUTPUT VOLTAGE VERSUS LOAD RESISTANCE



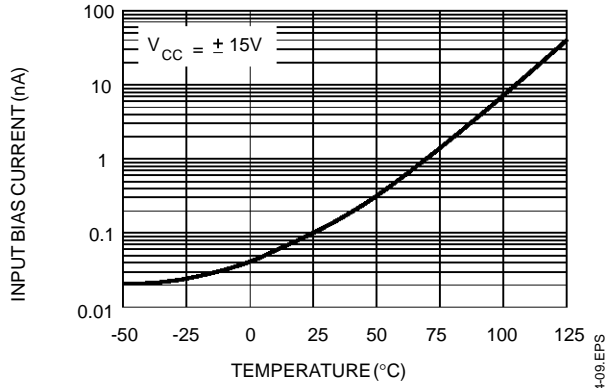
084-07.EPS

MAXIMUM PEAK-TO-PEAK OUTPUT VOLTAGE VERSUS SUPPLY VOLTAGE



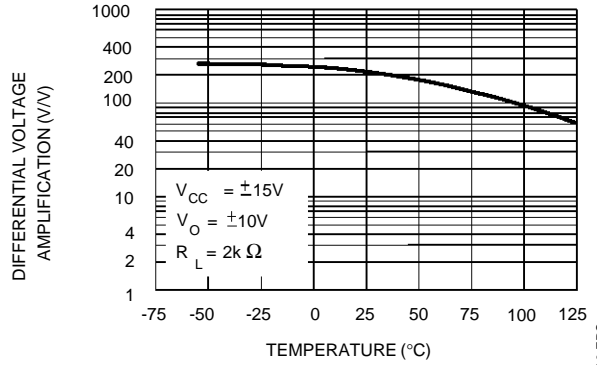
084-08.EPS

INPUT BIAS CURRENT VERSUS FREE AIR TEMPERATURE



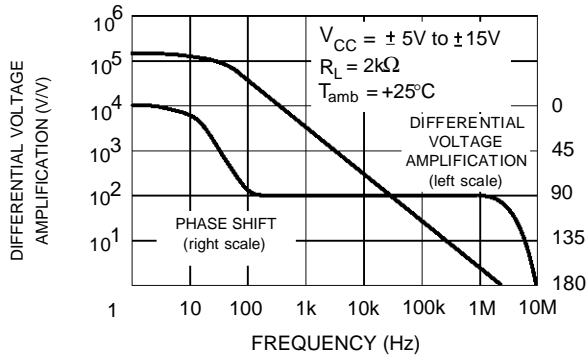
084-09.EPS

LARGE SIGNAL DIFFERENTIAL VOLTAGE AMPLIFICATION VERSUS FREE AIR TEMPERATURE



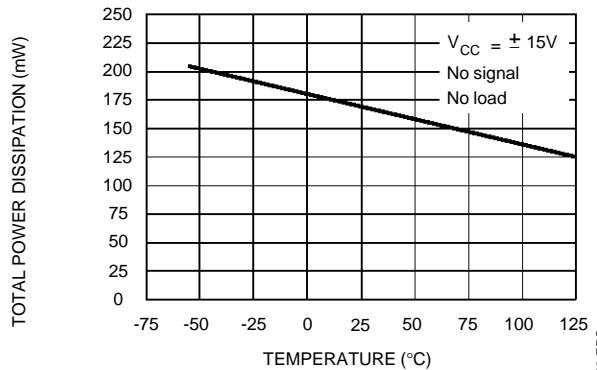
084-10.EPS

LARGE SIGNAL DIFFERENTIAL VOLTAGE AMPLIFICATION AND PHASE SHIFT VERSUS FREQUENCY



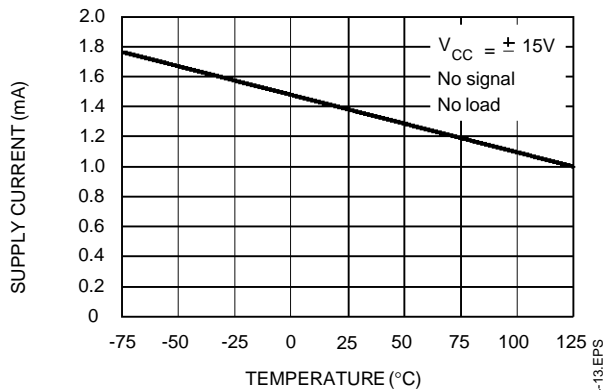
084-11.EPS

TOTAL POWER DISSIPATION VERSUS FREE AIR TEMPERATURE



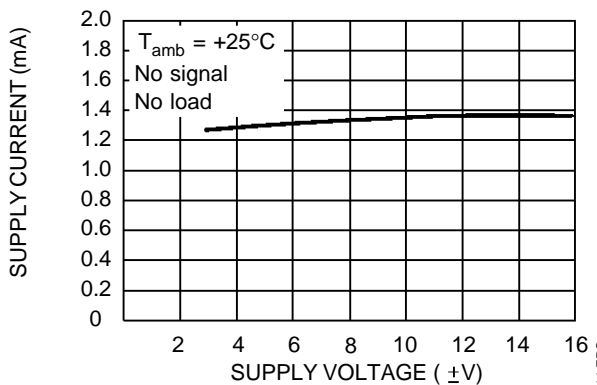
084-12.EPS

SUPPLY CURRENT PER AMPLIFIER VERSUS FREE AIR TEMPERATURE



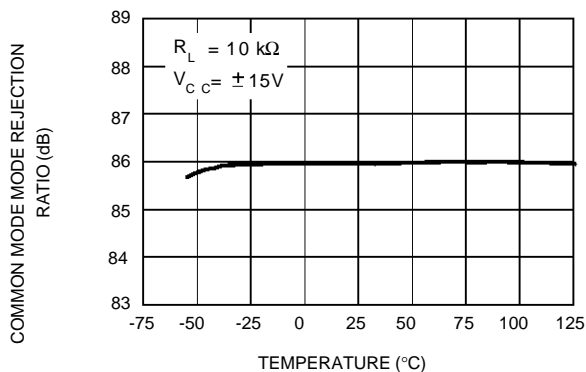
084-13.EPS

SUPPLY CURRENT PER AMPLIFIER VERSUS SUPPLY VOLTAGE

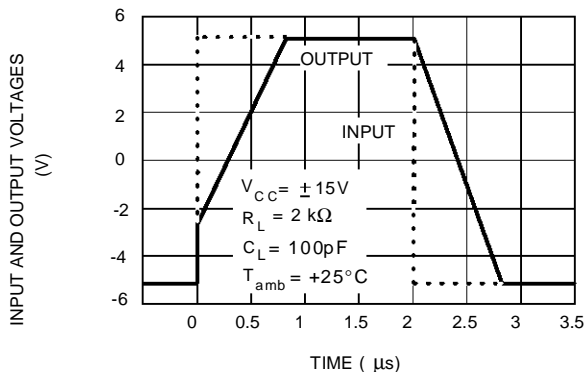


084-14.EPS

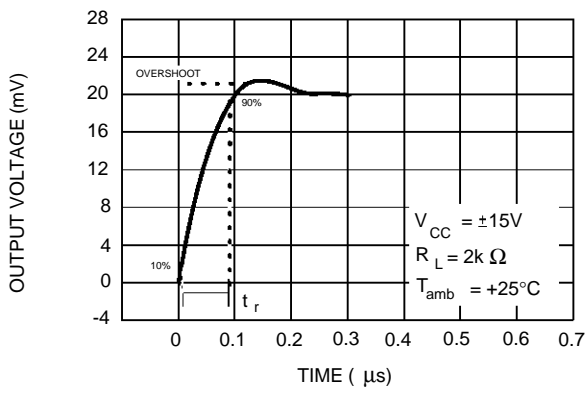
COMMON MODE REJECTION RATIO VERSUS FREE AIR TEMPERATURE



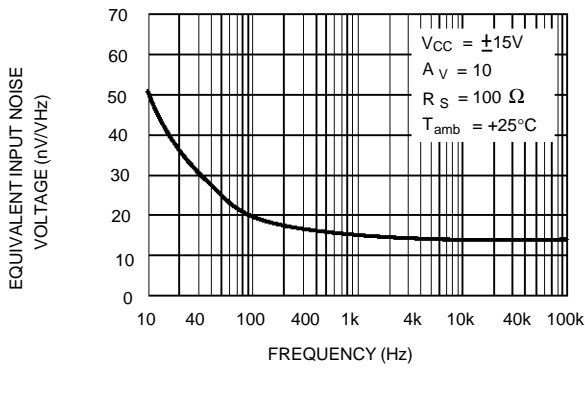
VOLTAGE FOLLOWER LARGE SIGNAL PULSE RESPONSE



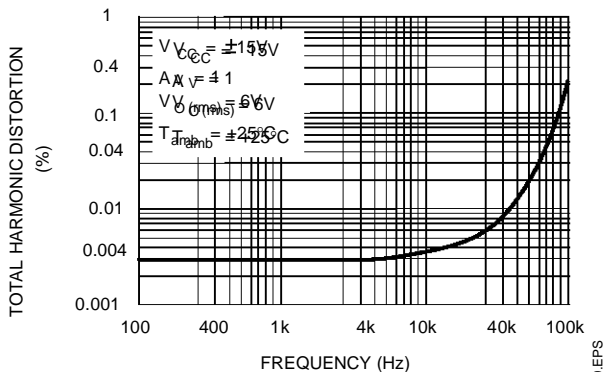
OUTPUT VOLTAGE VERSUS ELAPSED TIME



EQUIVALENT INPUT NOISE VOLTAGE VERSUS FREQUENCY

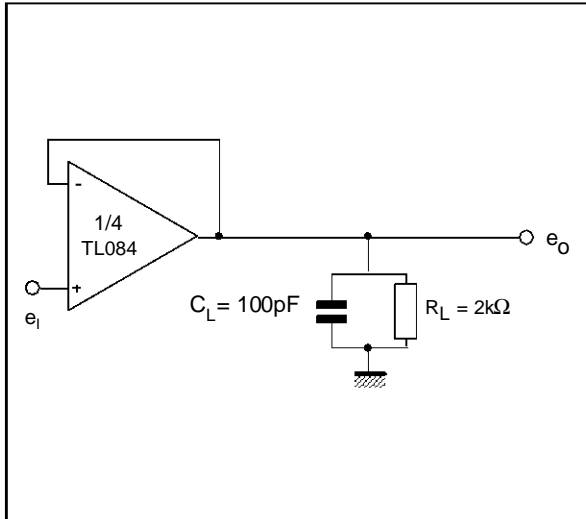


TOTAL HARMONIC DISTORTION VERSUS FREQUENCY



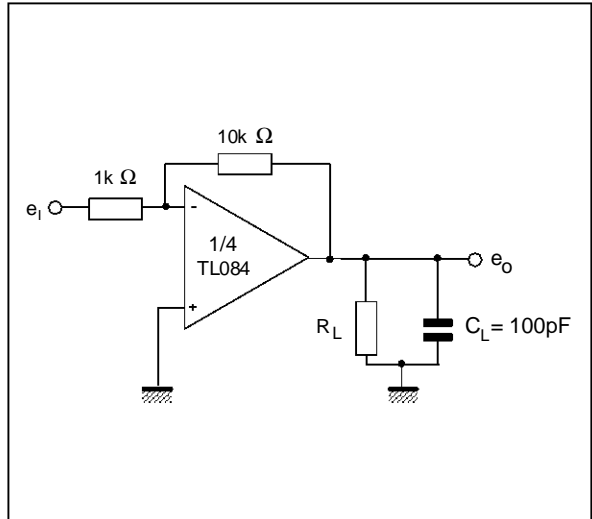
PARAMETER MEASUREMENT INFORMATION

Figure 1 : Voltage Follower



084-20.EPS

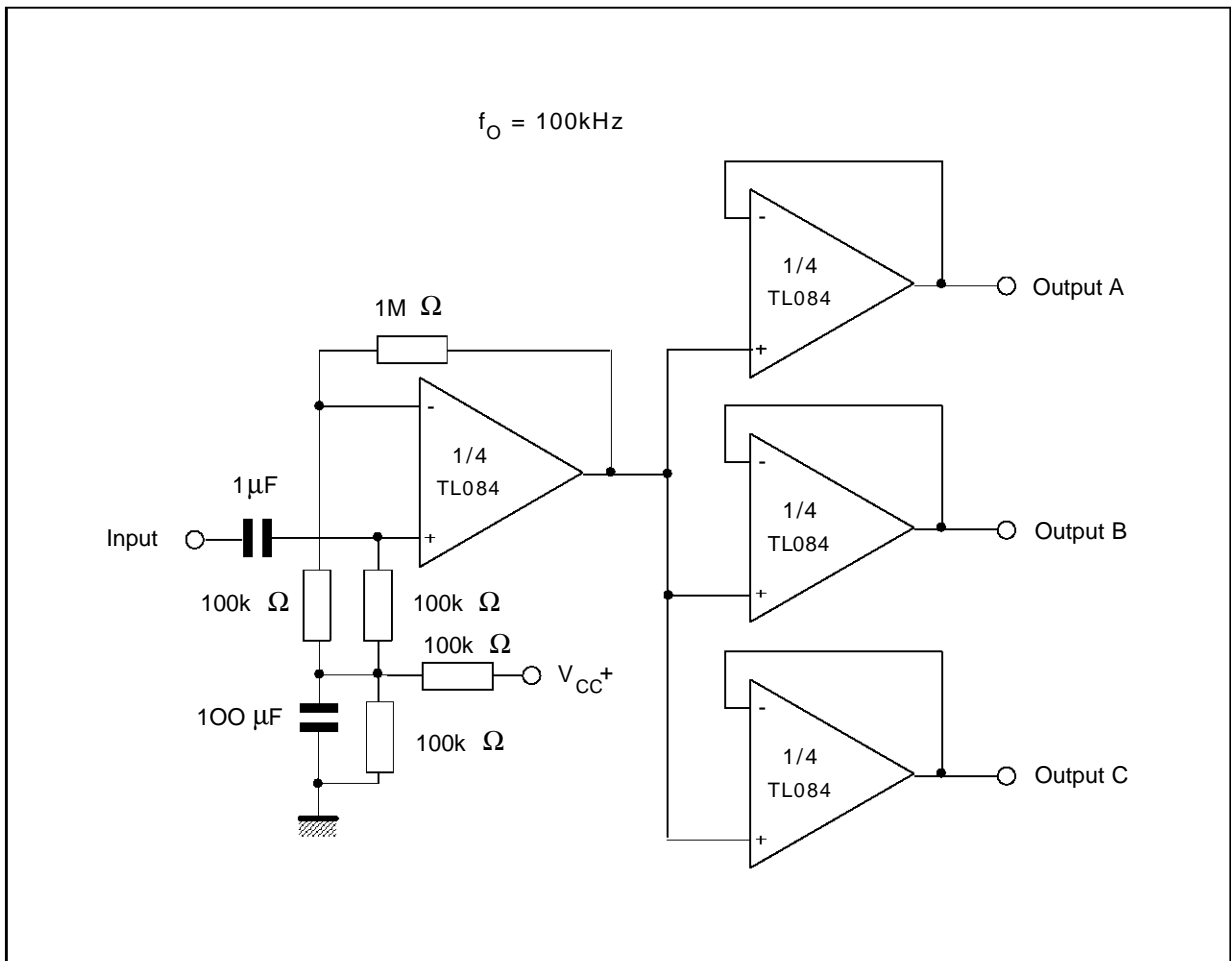
Figure 2 : Gain-of-10 Inverting Amplifier



084-21.EPS

TYPICAL APPLICATIONS

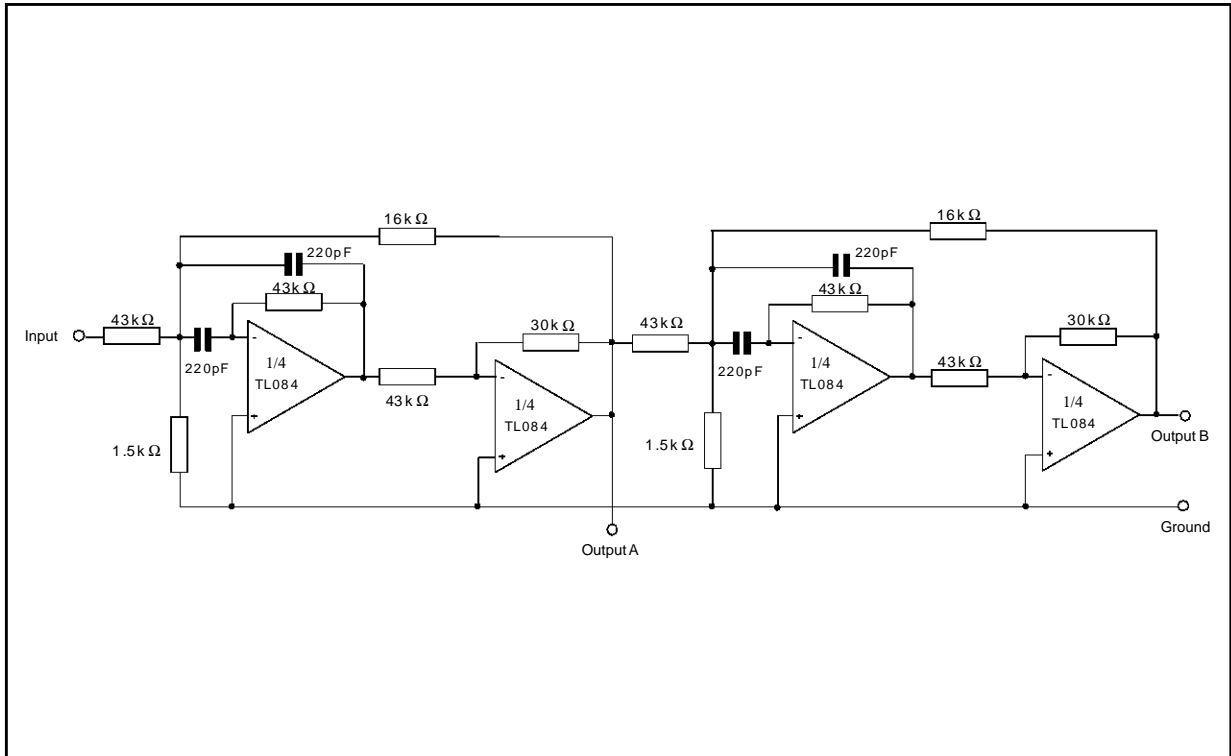
AUDIO DISTRIBUTION AMPLIFIER



084-22.EPS

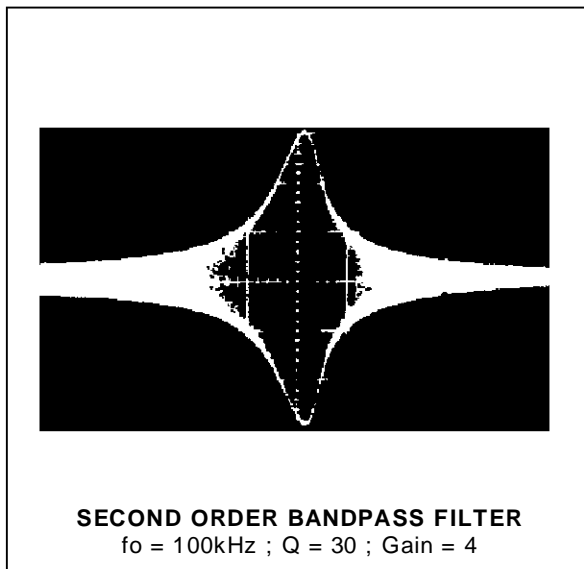
TYPICAL APPLICATIONS (continued)

POSITIVE FEEDBACK BANDPASS FILTER



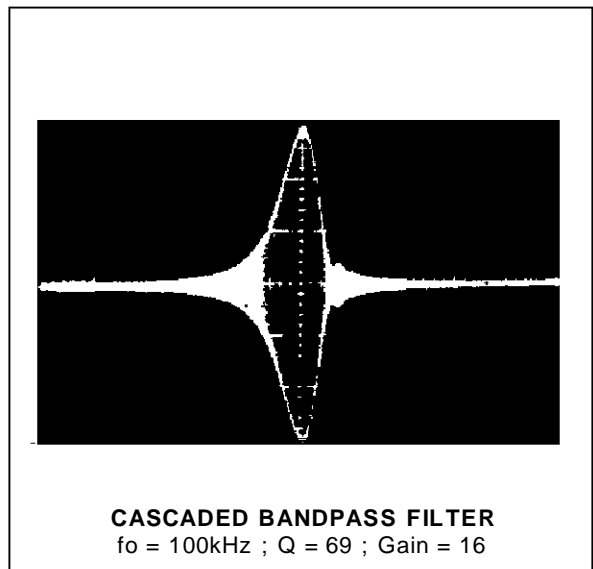
084-23.EPS

OUTPUT A



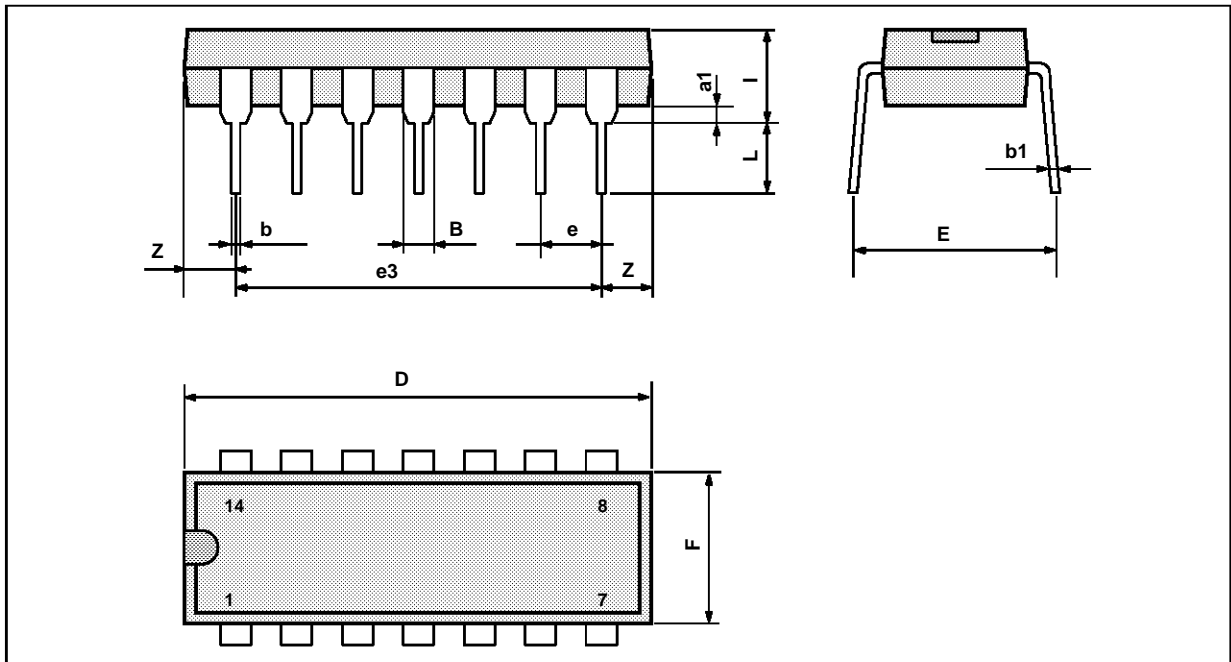
084-24.IMG

OUTPUT B



084-25.IMG

PACKAGE MECHANICAL DATA
14 PINS - PLASTIC DIP OR CERDIP



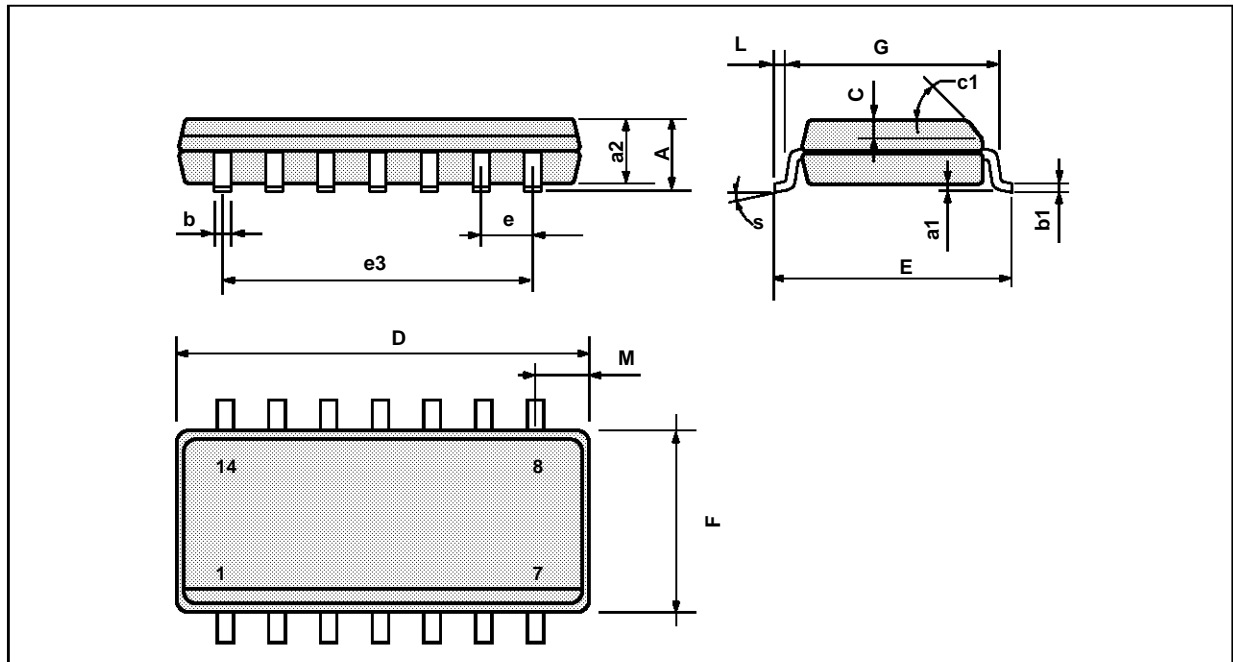
| Dimensions | Millimeters | | | Inches | | |
|------------|-------------|-------|------|--------|-------|-------|
| | Min. | Typ. | Max. | Min. | Typ. | Max. |
| a1 | 0.51 | | | 0.020 | | |
| B | 1.39 | | 1.65 | 0.055 | | 0.065 |
| b | | 0.5 | | | 0.020 | |
| b1 | | 0.25 | | | 0.010 | |
| D | | | 20 | | | 0.787 |
| E | | 8.5 | | | 0.335 | |
| e | | 2.54 | | | 0.100 | |
| e3 | | 15.24 | | | 0.600 | |
| F | | | 7.1 | | | 0.280 |
| i | | | 5.1 | | | 0.201 |
| L | | 3.3 | | | 0.130 | |
| Z | 1.27 | | 2.54 | 0.050 | | 0.100 |

PM-DIP14.EPS

DIP14.TBL

TL084 - TL084A - TL084B

PACKAGE MECHANICAL DATA
14 PINS - PLASTIC MICROPACKAGE (SO)



PM-SO14.EPS

| Dimensions | Millimeters | | | Inches | | |
|------------|-------------|------|------|--------|-------|-------|
| | Min. | Typ. | Max. | Min. | Typ. | Max. |
| A | | | 1.75 | | | 0.069 |
| a1 | 0.1 | | 0.2 | 0.004 | | 0.008 |
| a2 | | | 1.6 | | | 0.063 |
| b | 0.35 | | 0.46 | 0.014 | | 0.018 |
| b1 | 0.19 | | 0.25 | 0.007 | | 0.010 |
| C | | 0.5 | | | 0.020 | |
| c1 | 45° (typ.) | | | | | |
| D | 8.55 | | 8.75 | 0.336 | | 0.334 |
| E | 5.8 | | 6.2 | 0.228 | | 0.244 |
| e | | 1.27 | | | 0.050 | |
| e3 | | 7.62 | | | 0.300 | |
| F | 3.8 | | 4.0 | 0.150 | | 0.157 |
| G | 4.6 | | 5.3 | 0.181 | | 0.208 |
| L | 0.5 | | 1.27 | 0.020 | | 0.050 |
| M | | | 0.68 | | | 0.027 |
| S | 8° (max.) | | | | | |

SO14.TBL

Information furnished is believed to be accurate and reliable. However, SGS-THOMSON Microelectronics assumes no responsibility for the consequences of use of such information nor for any infringement of patents or other rights of third parties which may result from its use. No licence is granted by implication or otherwise under any patent or patent rights of SGS-THOMSON Microelectronics. Specifications mentioned in this publication are subject to change without notice. This publication supersedes and replaces all information previously supplied. SGS-THOMSON Microelectronics products are not authorized for use as critical components in life support devices or systems without express written approval of SGS-THOMSON Microelectronics.

© 1995 SGS-THOMSON Microelectronics - All Rights Reserved

SGS-THOMSON Microelectronics GROUP OF COMPANIES

Australia - Brazil - France - Germany - Hong Kong - Italy - Japan - Korea - Malaysia - Malta - Morocco - The Netherlands
Singapore - Spain - Sweden - Switzerland - Taiwan - Thailand - United Kingdom - U.S.A.

ORDER CODE :